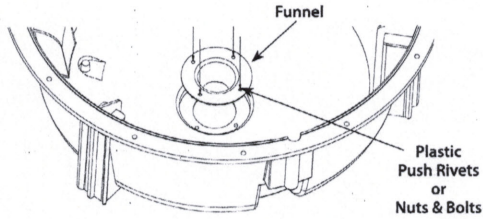


C ASSEMBLE WITH MOULTRIE QUICK-LOCK HOPPER

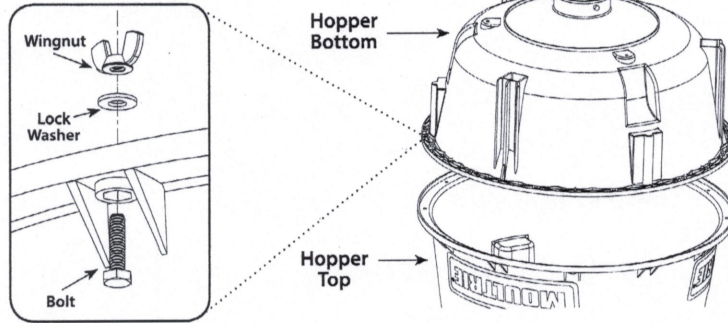
- 1** Place Funnel into Hopper Bottom and insert four (4) Plastic Push Rivets.



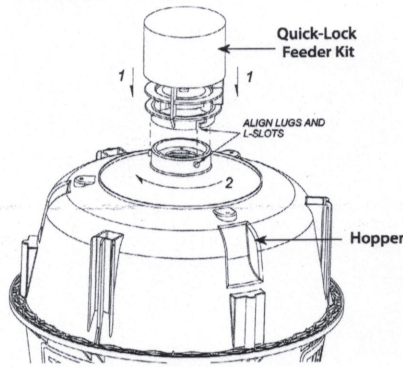
- 2** Flip Hopper Top upside-down and mate to Hopper Bottom.

Align holes, then press sides of Hopper Bottom until it snaps snugly in place. Insert Bolt upward through each hole, place Lock Washer on bolt and screw Wingnut onto bolt until tight. Repeat for all 12 bolts.

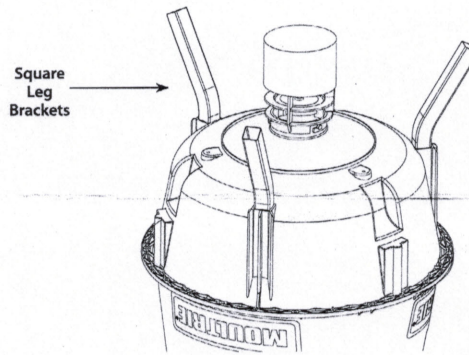
Note: Failure to properly secure 2 halves can result in leakage.



- 3** Connect Quick-Lock Feeder Kit to assembled Hopper as shown.



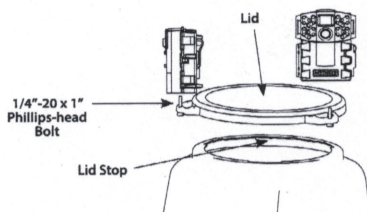
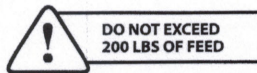
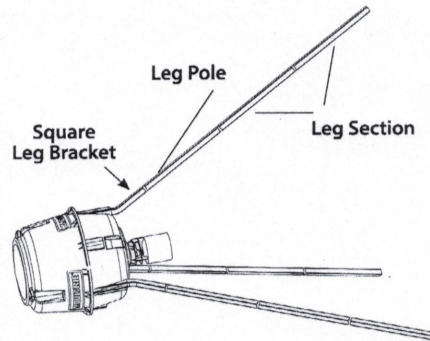
- 4** Slide the three provided Square Leg Brackets into the Hopper as shown.



- 5** Stand Up Feeder and Install Lid

Place Hopper on side. Assemble three Leg Poles using two Leg Sections each for the Moultrie Deer Feeder Classic and Pro. For the Moultrie Deer Feeder Elite, you have three height options; assemble two Leg Sections (5' Fill Height), Three Leg Sections (7' Fill Height), or Four Leg Sections (8' Fill Height).

Install a Leg Pole on the inside of each of the Square Leg Brackets. Make sure to have all leg sections connected properly with the sections inserted as far as they will go. With two Leg Poles against the ground as shown, carefully stand up the Feeder assembly.



Install Lid by aligning handles with notches in Hopper Top. Twist until Lid rests flush against Lid Stop.

To install a Moultrie Game Camera or Feeder Power Panel (sold separately), thread included 1/4"-20 x 1" Phillips-head Bolt upward through hole in Lid Handle and tighten Bolt. Lid will hold up to 3 devices.

MOULTRIE

Our Service Department will gladly answer any questions you have.
Call 800-653-3334, Monday - Friday, 8:00 AM to 5:00 PM CST.
www.moultriefeders.com